

# LOAD CELL SUPPLIES



## Model CCDM/CCCM Series

Compression Load Cell (10t ~ 500t)  
Canister Type

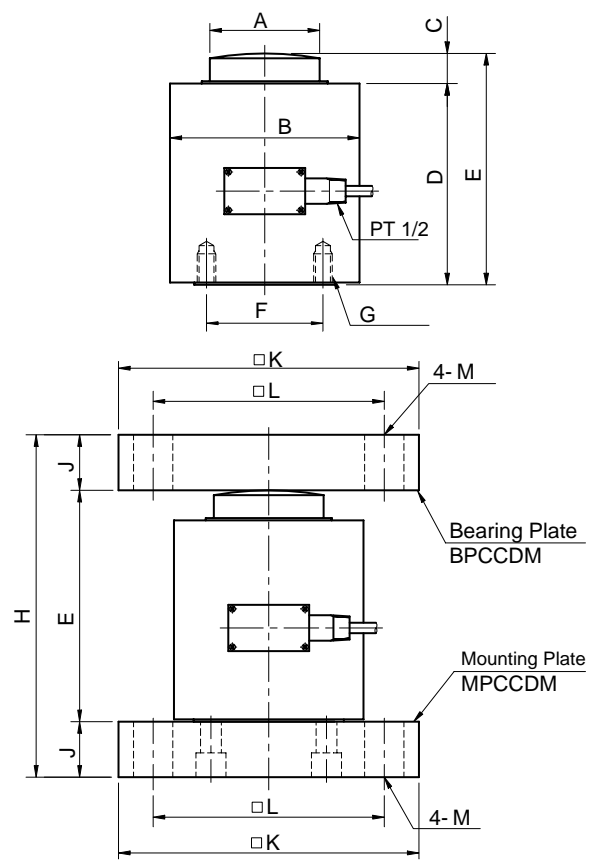
The CCDM/CCCM series of single column, low profile and compact, hermetically sealed design provides small deflection(0.2mm Max) and trouble-free operation. These load cells designed for rugged industrial use as compression load cell and meet the needs of low cost weighing and force measurement systems.



- Insensitive to side load
- Robust high capacity design
- High alloy steel construction

### SPECIFICATIONS

MODEL	CCDM	CCCM
Rated capacity (R.C.)	10, 20, 30, 50, 100, 200, 300, 500ton	10, 20, 30, 50, 100, 200ton
Rated output(R.O.)	1.5mV/V – 0.5%	
Non-linearity	≤0.1% R.O.	≤0.05% R.O.
Hysteresis	≤0.1% R.O.	≤0.05% R.O.
Non-repeatability	≤0.1% R.O.	≤0.05% R.O.
Creep error	≤0.1% in 20min.	≤0.05% in 20min.
Zero balance	≤1% R.O.	
Compensated temperature range	-10 ~ 70°C	
Operating temperature range	-20 ~ 80°C	
Temp. effect on rated output	≤0.03% LOAD/10°C	
Temp. effect on zero balance	≤0.03% R.O./10°C	
Terminal input resistance	350 Ohms – 3.5 Ohms	
Terminal output resistance	350 Ohms – 5 Ohms	
Insulation resistance (Min.)	2000 MOhms at 50V DC	
Excitation voltage	10V(Recommended), 15V(Max.)	
Electrical connection	9mmx5m(22AWG x 4Core Shielded)	
Protection class	meets IP 67	
Safe overload	150% R.C	
Ultimate overload	300% R.C	

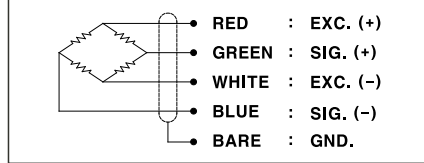


### ORDERING INFORMATION

**CCDM - 10T**

MODEL	CAPACITY
CCDM	10, 20, 30, 50, 100, 200, 300, 500 ton

### WIRING INFORMATION



### Dimension-mm

Rated Capacity	A	B	C	D	E	F	G	H	J	K	L	M	Bearing Plate	Mounting Plate	Weight (kg)
10t ( 98.07kN )	32	88.5	13.5	116.5	130	60	4-M10x1.5P Depth 12	180	25	150	106	22	BPCCDM1	MPCCDM1	3.0
20t ( 196.1kN )	32	88.5	13.5	116.5	130	60	4-M10x1.5P Depth 12	180	25	150	106	22	BPCCDM1	MPCCDM1	3.3
30t ( 294.2kN )	32	88.5	13.5	116.5	130	60	4-M10x1.5P Depth 12	180	25	150	106	22	BPCCDM1	MPCCDM1	3.5
50t ( 490.3kN )	55	88.5	20	136	156	60	4-M10x1.5P Depth 12	206	25	200	148	26	BPCCDM2	MPCCDM2	4.7
100t ( 980.7kN )	55	164	20	180	200	90	4-M14x2P Depth 20	280	40	260	200	26	BPCCDM3	MPCCDM3	14.3
200t ( 1961kN )	95	164	20	180	200	100	6-M16x2P Depth 20	300	50	260	200	33	BPCCDM4	MPCCDM4	18.3
300t ( 2942kN )	95	164	20	230	250	100	6-M20x2.5P Depth 35	350	50	260	200	33	BPCCDM4	MPCCDM4	27.9
500t ( 4903kN )	120	212	25	244	269	130	6-M24x3P Depth 40	399	65	300	220	39	BPCCDM5	MPCCDM5	49.9

\* Specifications are subject to change without notice